

# **C**LEANING AND **D**ISPENCING





## Plasma cleaning

Inline XYZ programmable robotic cell for plasma cleaning.  
Suitable for PCBs, plastic housings and metal surfaces.  
Plasma gun selected according to the applications.



## Plasma Cleaning FX-PC00

### Technical Features

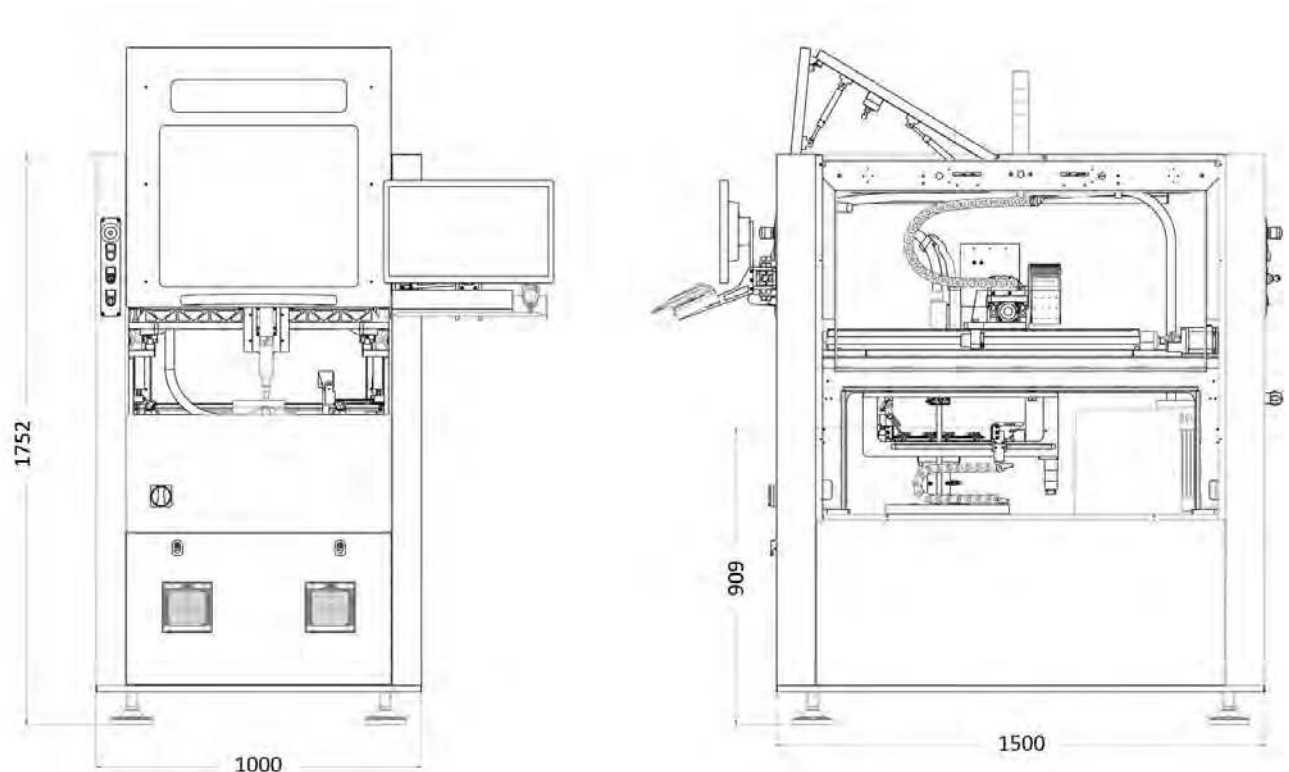
- In - Out SMEMA Interface
- ESD Safety Design
- CE Compliance
- Flat Belt (carrying edge 3 mm)
- Power Supply - 230Vac 50/Hz 16A
- Std conveyor speed 12 m/min
- Electric Width Adjustment (EWA)
- Weight 800 Kg

### PCB specification

- PCB specification
- Max/Min PCB width 500 mm/100 mm
- Max /Min PCB length 400 mm/100 mm
- Max PCB weight 2 Kg

### Options

- 6 or 18 m/min conveyor speed
- Automatic Width Adjustment (AWA)
- Barcode reader





## Glue dispenser

Inline XYZ programmable robotic cell for mono & two components glue dispensing.  
Suitable for gluing and sealing.

- Nozzle alignment sensor
- Weight scale for amount dispensing control
- Purge container with overflow sensor
- Dispensing valve selected according to the application



## Glue dispenser FX-PD01 / PD03 / PD04

### Technical Features

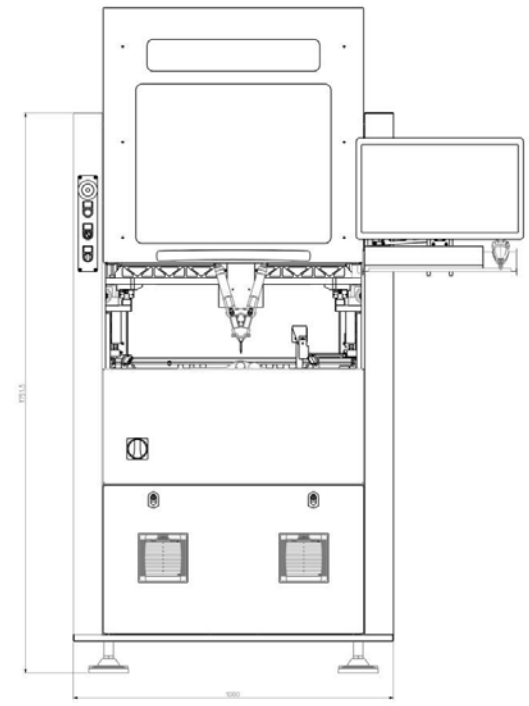
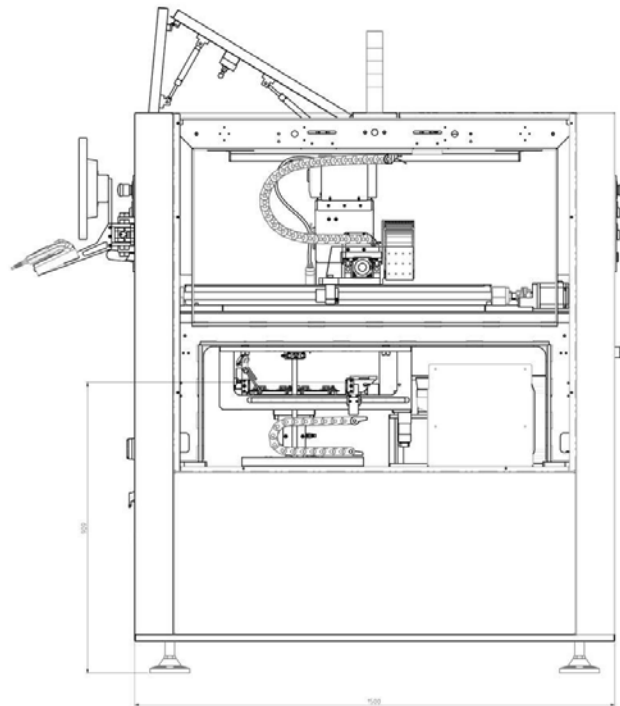
- In – Out SMEMA Interface
- ESD Safety Design
- CE Compliance
- Flat Belt (carrying edge 3 mm)
- Power Supply - 230Vac 50/Hz 16A
- Std conveyor speed 12 m/min
- Electric Width Adjustment (EWA)
- Weight 800 Kg
- Suitable conveyor for pallet and PCB

### PCB specification

- Max/Min PCB width 500 mm/100 mm
- Max /Min PCB length 400 mm/100 mm
- Max PCB weight 2 Kg

### Options

- 6 or 18 m/min conveyor speed
- Automatic Width Adjustment (AWA)
- Barcode reader





## Solder paste dispenser

In line XYZ programmable robotic cell for Solder paste dispensing.

Suitable for overdosing on reflow soldering processes.

- Nozzle cleaning station
- Nozzle alignment sensor
- Camera for board alignment

## Solder paste dispenser FX-PD02

### Technical Features

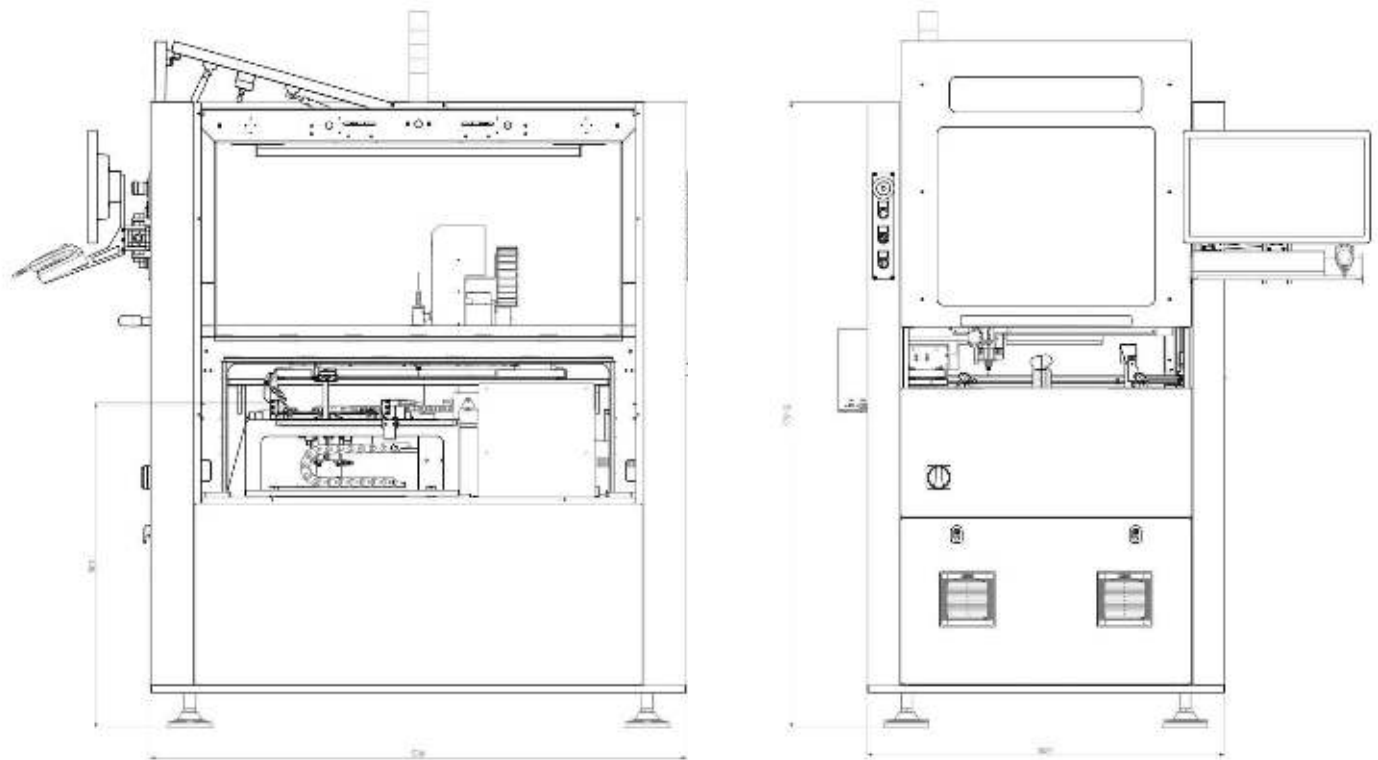
- In – Out SMEMA Interface
- ESD Safety Design
- CE Compliance
- Flat Belt (carrying edge 3 mm)
- Power Supply - 230Vac 50/Hz 16A
- Std conveyor speed 12 m/min
- Electric Width Adjustment (EWA)
- Weight 800 kg
- Suitable conveyor for pallet and PCB

### PCB specification

- Max/Min PCB width 500 mm/100 mm
- Max /Min PCB length 400 mm/100 mm
- Max PCB weight 2 Kg

### Options

- 6 or 18 m/min conveyor speed
- Automatic Width Adjustment (AWA)
- Barcode reader





**Fenix Automation s.r.l.**  
**Via P. Calamandrei, 251 H**  
**52100 Arezzo - Italy**  
**Phone +39 0575 0230893**  
**fenixautomation.com**  
**info@fenixautomation.com**



YOUR REFERENCE POINT

Above mentioned data are indicative and Fenix Automation s.r.l. reserves the right to modify them as discretion.

