

DEPANELING





In-line depaneling cell

- Suitable for medium and high volume production
- New product setup < 3 minutes
- Camera for manual teaching
- Cutting route importable from DXF files
- Compact foot print
- Upper robot suitable for pallet loading



In-line depaneling cell FX-RA00

Technical Features

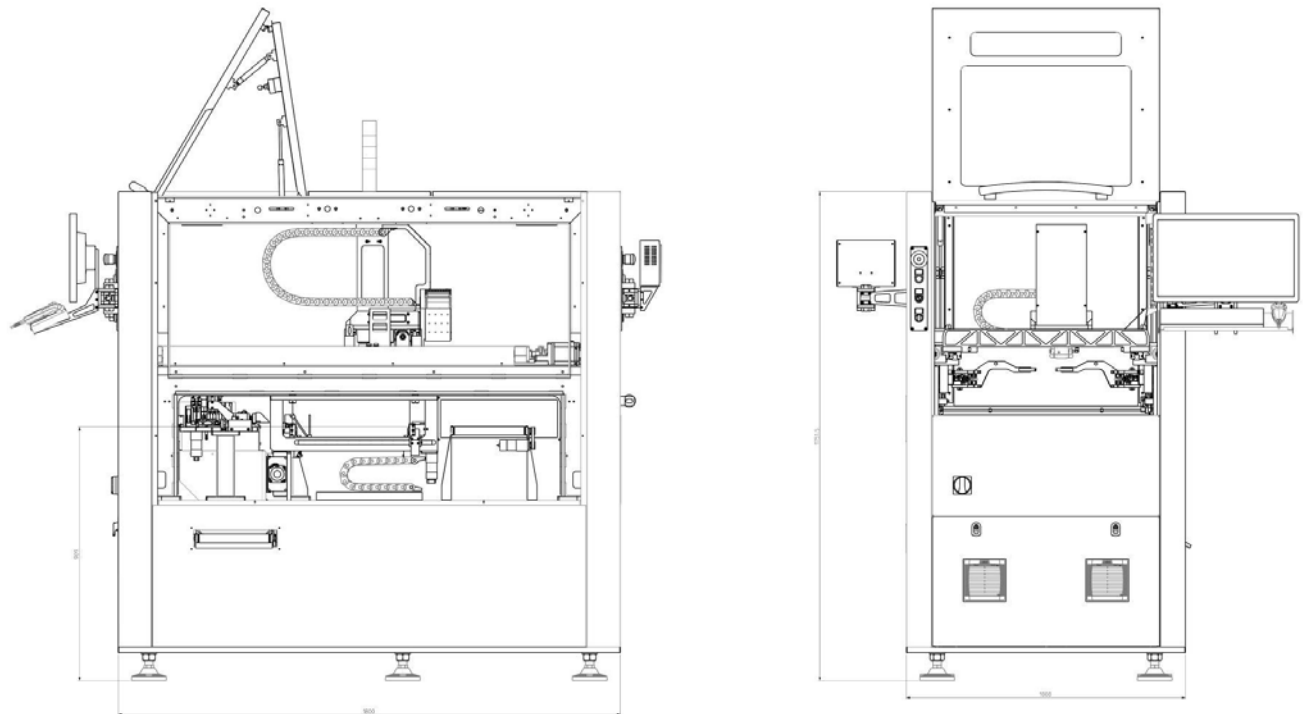
- Line length 1.000 mm
- In – Out SMEMA Interface
- Semi-automatic specific product gripper change system
- Continuous bit inspection
- Automatic bit changing system
- ESD Safety Design
- Ionized working environment
- Direct import of routing programs from .dxf files
- CE Certification
- PCB Conveyor:
 - a. Flat belt (3 mm carrying edge)
 - b. Std speed 12 m/min
 - c. Electric Width Adjustment (EWA)
- Flat belt outfeed conveyor for de-paneled boards
- Embedded dust suction pipe (PCB bottom side)
- Automatic scrap material evacuation
- Power Supply - 230Vac 50/Hz 16A
- Weight 1.300 kg

PCB specification

- Max/Min PCB width 400 mm/100 mm
- Max /Min PCB length 450 mm/100 mm
- Max PCB weight 2 Kg

Options

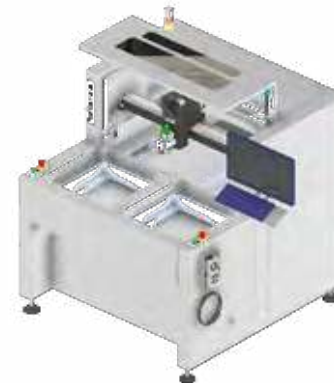
- Specific product gripper
- External dust extractor





Standalone depaneling cell RA-50

- Suitable for high mix production
- New product setup < 3 minutes
- Cutting route importable from DXF files
- Hand pendant for manual teaching
- Compact foot print
- Double fixture shuttle for loading time optimization
- Loading/Unloading area protected by optical barrier



Standalone depaneling cell FX-RA50

Technical Features

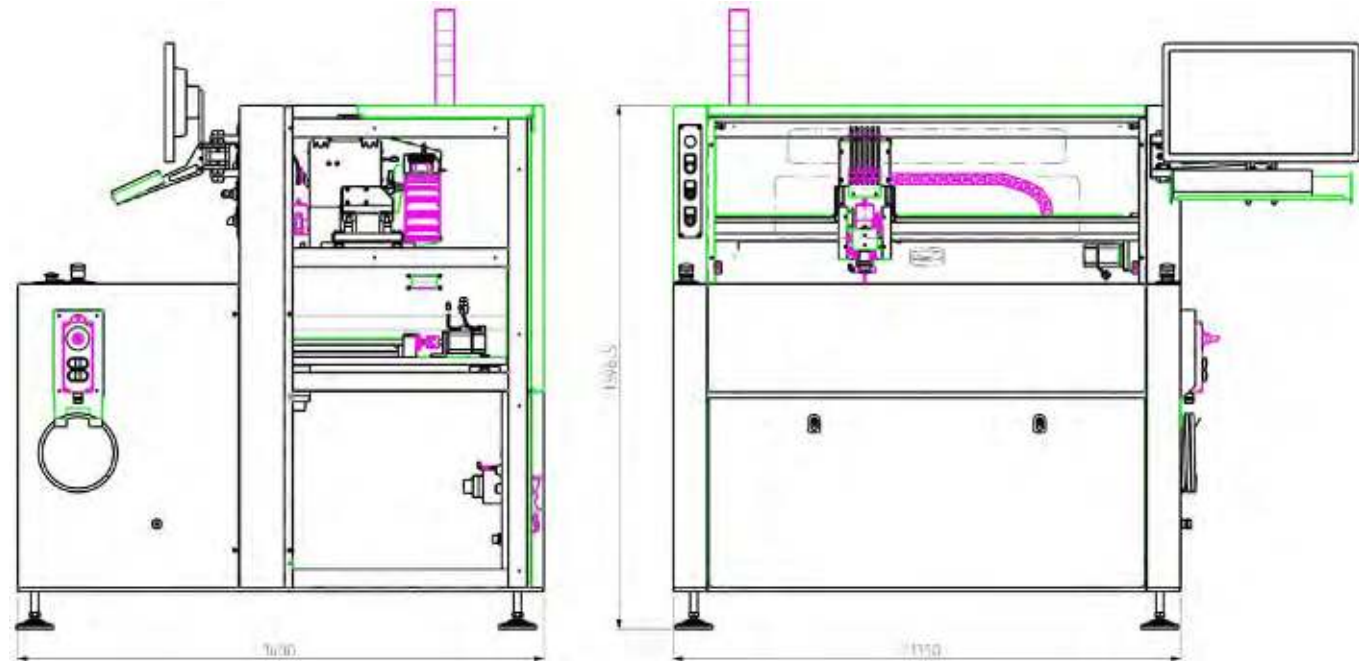
- Standalone configuration
- Double shuttle
- Continuous bit inspection
- Manual bit changing system
- Embedded dust suction pipe (PCB bottom side)
- Easy product fixture replacement
- ESD Safety Design
- Ionized working environment
- Direct import of routing programs from .dxf files
- CE Certification
- Power Supply - 230Vac 50/Hz 16A
- Weight 400 kg

PCB specification

- Max/Min PCB width 400 mm/100 mm
- Max /Min PCB length 450 mm/100 mm
- Max PCB weight 2 Kg

Options

- Specific product fixtures
- External dust extractor
- Automatic bit change system





Fenix Automation s.r.l.
Via P. Calamandrei, 251 H
52100 Arezzo - Italy
Phone +39 0575 0230893
fenixautomation.com
info@fenixautomation.com



YOUR REFERENCE POINT

Above mentioned data are indicative and Fenix Automation s.r.l. reserves the right to modify them as discretion.

