

**PTH**  
**C**OMPONENTS  
**A**SSEMBLY  
**C**ELL





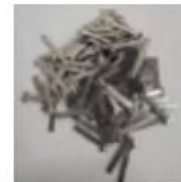
Robotic cell for a wide range of exotic component assemblies on PCBs



Loose components



Radial components



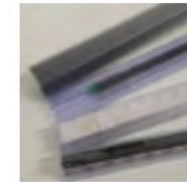
Metallic pins



Axial components



Metallic tape



Components in tube packaging

## Pth Assembly Cell FX-AO00

### Technical Features

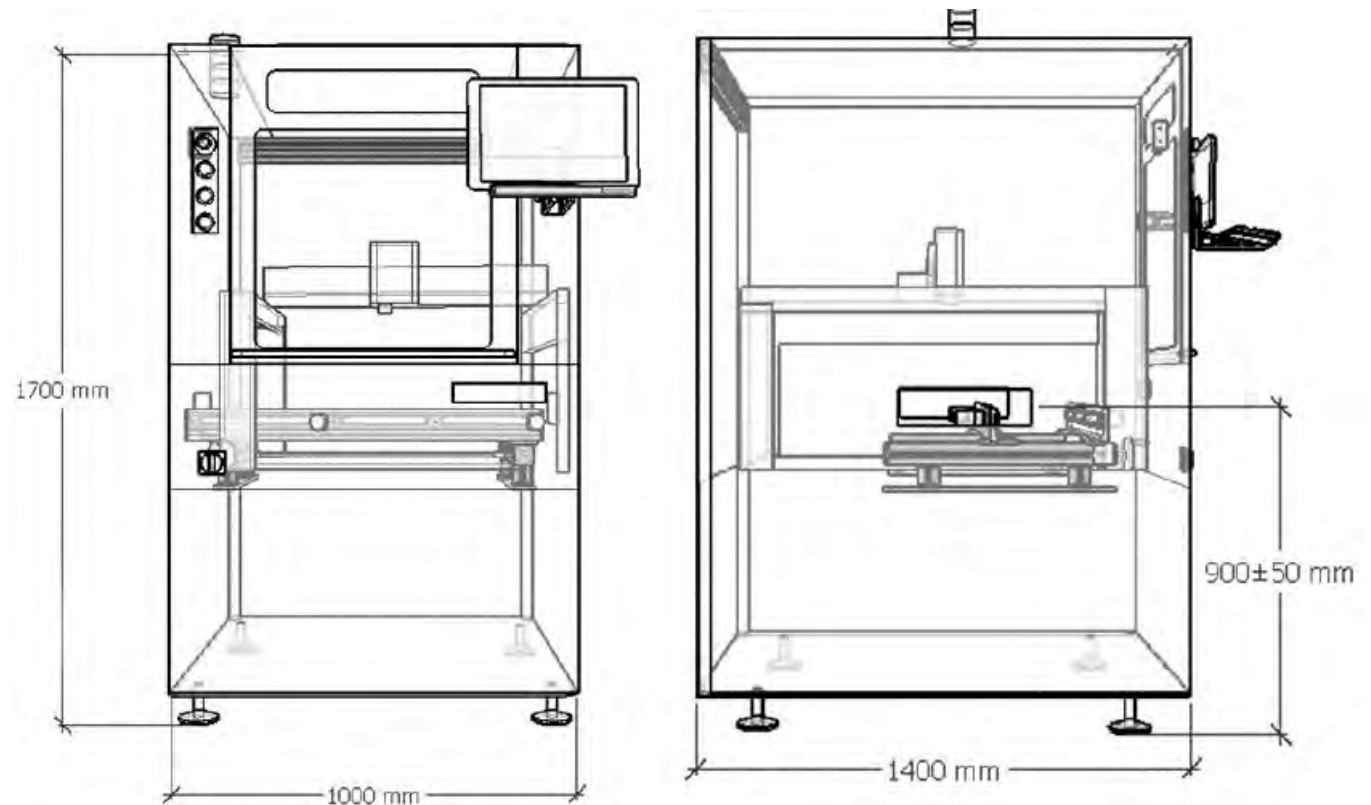
- Line length 1.000 mm
- In – Out SMEMA Interface
- Feeding capacity – up to 6 feeders
- Components -up to 9 different components codes
- Automatic tools change system
- Tools capacity – 3 pcs
- Mechanical board alignment
- Down force 160 N
- Insertion test routine
- ESD Safety Design
- CE Compliance
- Flat Belt (carrying edge 3 mm)
- Power Supply - 230Vac 50/Hz 16A
- Std conveyor speed 12 m/min
- Electric Width Adjustment (EWA)
- Weight 1 kg

### PCB specification

- Max/Min PCB width 400 mm/100 mm
- Max /Min PCB length 460 mm/100 mm
- Max PCB weight 2 Kg

### Options

- Passive clinching system
- Programmable Active Clinching
- Pin in paste technology
- Vision system for board alignment
- Down force 400 NZ
- Pins calibration station
- 6 or 18 m/min conveyor speed
- Automatic Width Adjustment (AWA)
- Customization upon request





**Fenix Automation s.r.l.**  
**Via P. Calamandrei, 251 H**  
**52100 Arezzo - Italy**  
**Phone +39 0575 0230893**  
**fenixautomation.com**  
**info@fenixautomation.com**



YOUR REFERENCE POINT

Above mentioned data are indicative and Fenix Automation s.r.l. reserves the right to modify them as discretion.

