

# **T**ESTING AND **I**NSPECTION





## Test handler

Inline functional test with automatic loading and unloading of specific products or PCB

- R to L or L to R flow direction
- Pass through function
- User interface by touch screen
- In out safety shutters
- Interchangeable upper and lower fixture
- Space for test system / instrument integration
- In Line Capability
- Returning Conveyor
- Servo Driven Press
- Camera Inspection
- LED Verification
- Trimmer Adjustment and Switching
- Code Reading
- Traceability Environment Compliant

## Test handler FX-NH00

### Technical Features

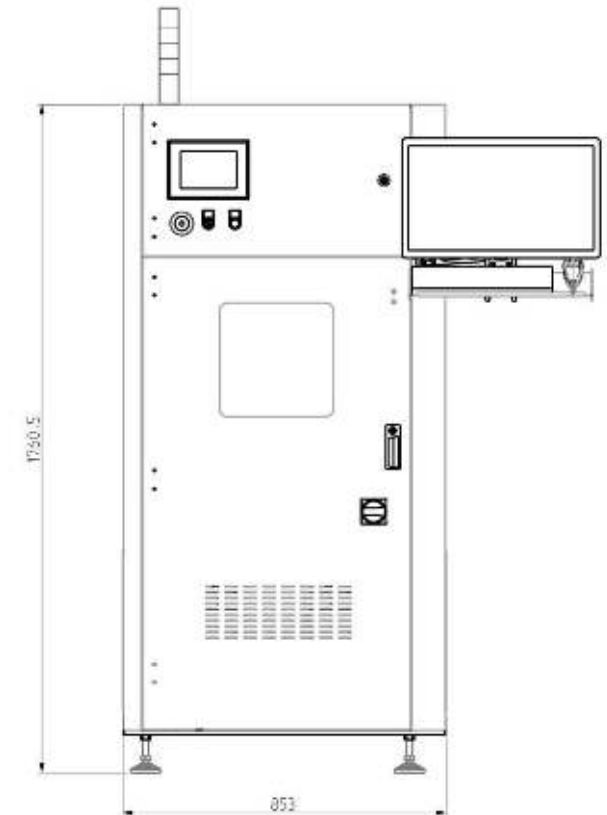
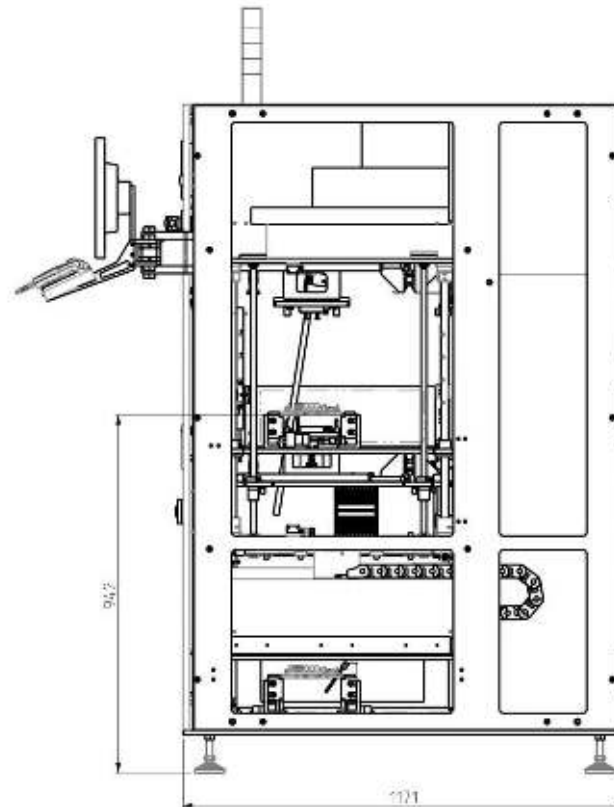
- In - Out SMEMA Interface
- ESD Safety Design
- CE Compliance
- Flat Belt (carrying edge 3 mm)
- Power Supply - 230Vac 50/Hz 16A
- Std. conveyor speed 12 m/min
- Electric Width Adjustment (EWA)
- Press force up to 2500N
- Weight 400 kg

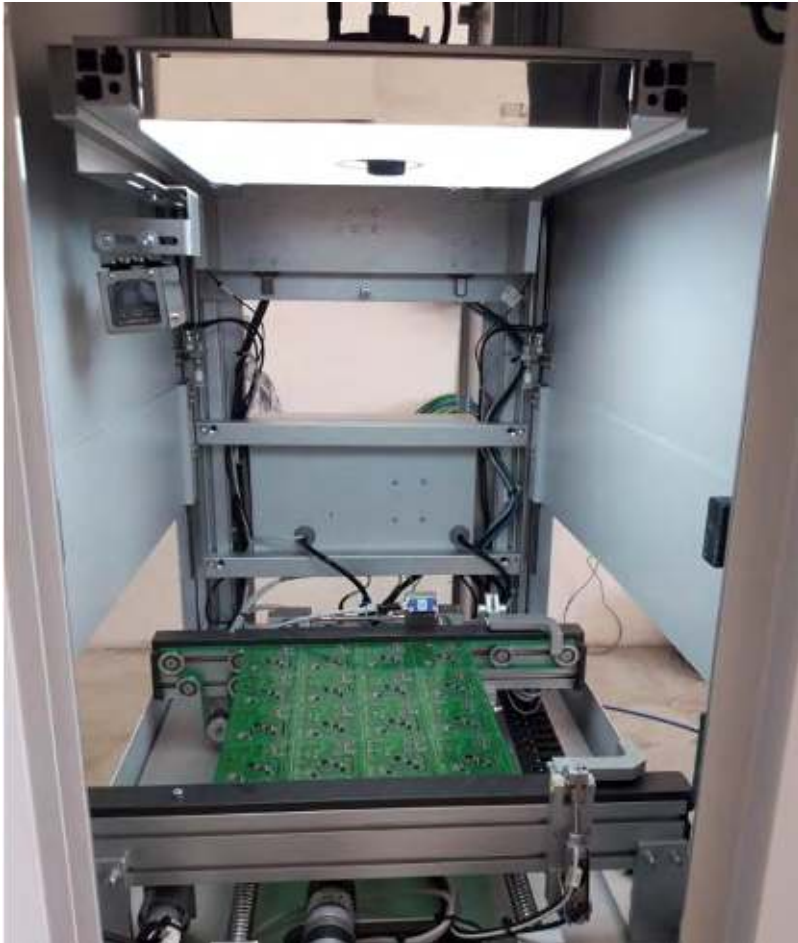
### PCB specification

- PCB specification
- Max/min PCB width 500 mm/100 mm
- Max /min PCB length 400 mm/100 mm
- Max PCB weight 2 Kg

### Options

- 6 or 18 m/min conveyor speed
- Automatic Width Adjustment (AWA)
- Customized upper and lower fixture
- Bypass conveyor
- Returning conveyor





## Inspection unit

Automatic, in line, inspection system.  
Suitable for:

- Post-dispensing verification
- Post-manual assembly verification

## Inspection unit FX-PI00 / PI01 / PI02

### Technical Features

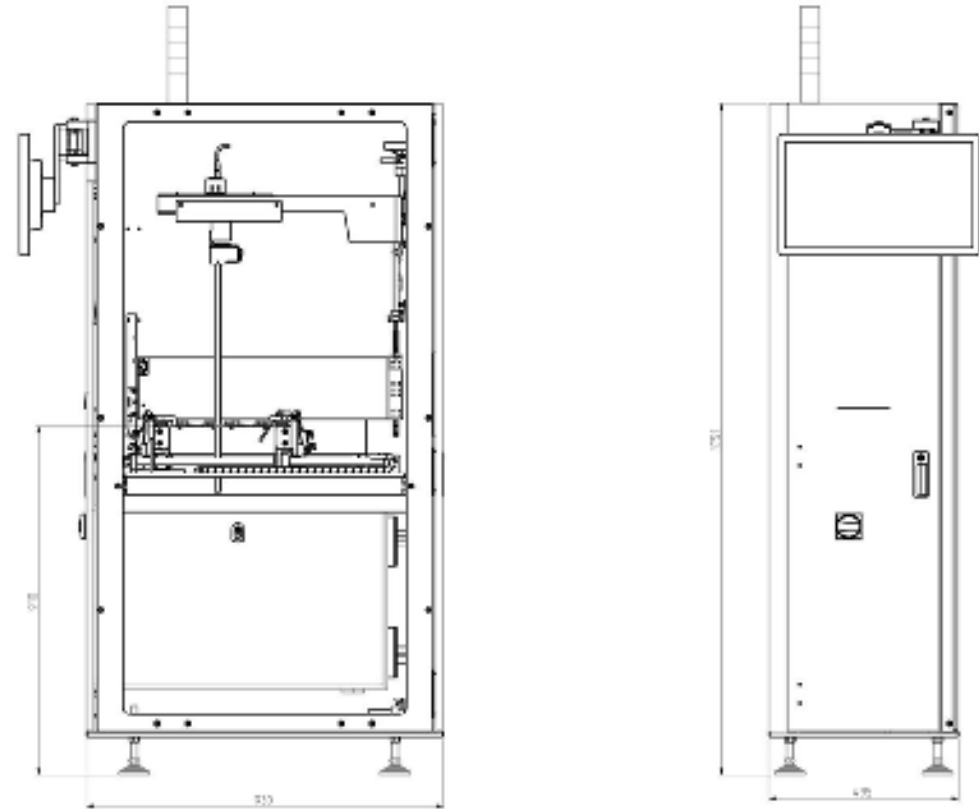
- In – Out SMEMA Interface
- ESD Safety Design
- CE Compliance
- Flat Belt (carrying edge 3 mm)
- Power Supply - 230Vac 50/Hz 2 A
- Std conveyor speed 12 m/min
- Electric Width Adjustment (EWA)
- Weight 150 kg
- Suitable conveyor for pallet and PCB

### PCB specification

- Max/Min PCB width 500 mm/100 mm
- Max /Min PCB length 400 mm/100 mm
- Max PCB weight 2 Kg

### Options

- 6 or 18 m/min conveyor speed
- Automatic Width Adjustment (AWA)
- Barcode reader

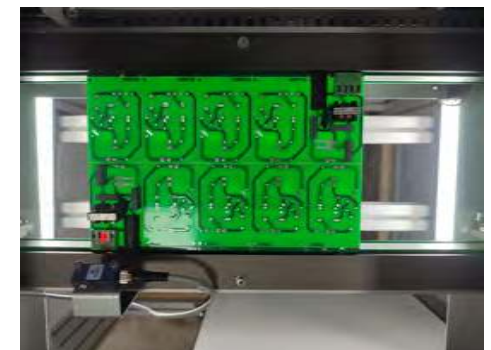




## AOI unit HORUS

Automatic, in line, inspection system.

- Verification of pin through hole presents before soldering process
- Single or multiple PCB inspection verification
- Easily programmable procedure
- Avoid repair and touch-up after soldering process



## AOI unit HORUS FX-PI09

### Technical Features

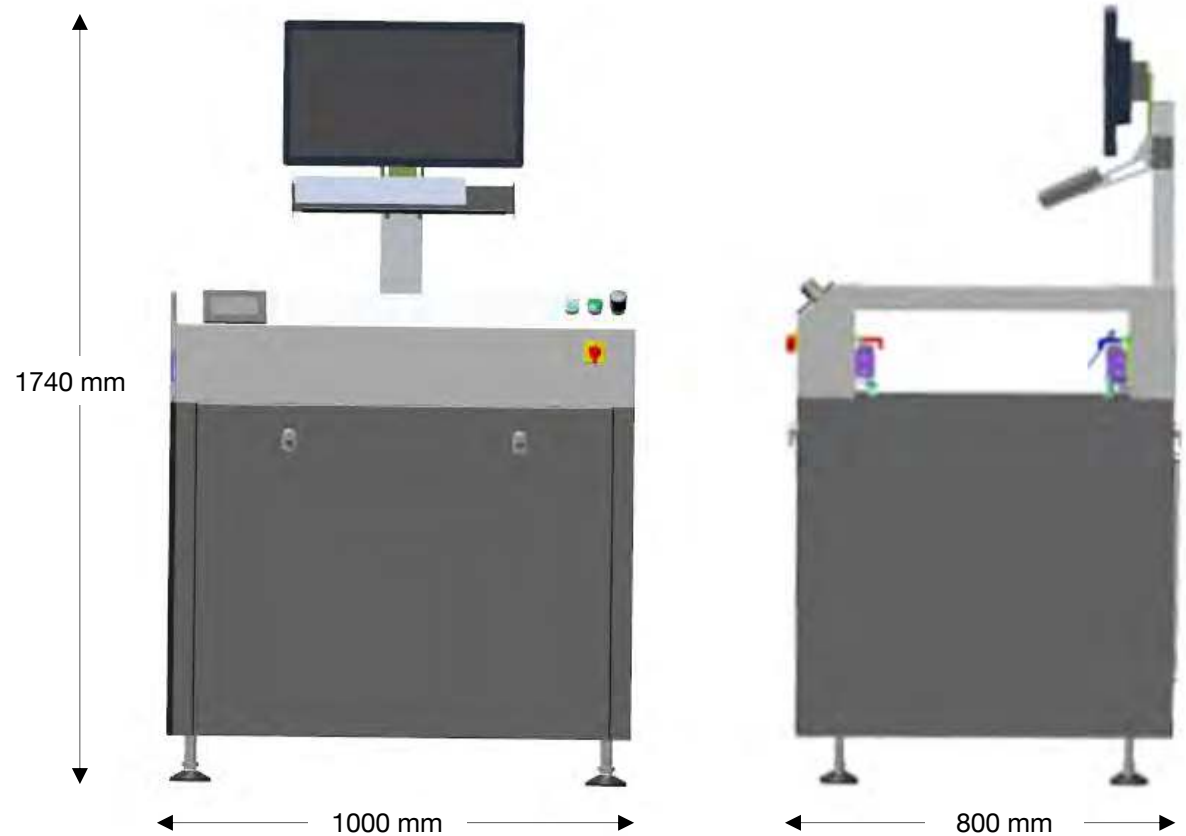
- In – Out SMEMA Interface
- ESD Safety Design
- CE Compliance
- Flat Belt (carrying edge 3 mm)
- Power Supply - 230Vac 50/Hz 2 A
- Std conveyor speed 12 m/min
- Electric Width Adjustment (EWA)
- Unit Weight 150 kg

### PCB specification

- Max/Min PCB width 500 mm/100 mm
- Max /Min PCB length 400 mm/100 mm
- Max PCB weight 2 Kg

### Options

- 6 or 18 m/min conveyor speed
- Automatic Width Adjustment (AWA)
- Barcode reader
- Conveyor for pallet handling
- Fail interceptor functionality





## AOI unit Mek Marantz

Automatic, in line, inspection system.

- Verification of PTH soldering joints.
- Suitable for PCBs end soldering frame.
- Easily programmable procedure.





## AOI unit Mek Marantz FX-PI07

### Technical Features

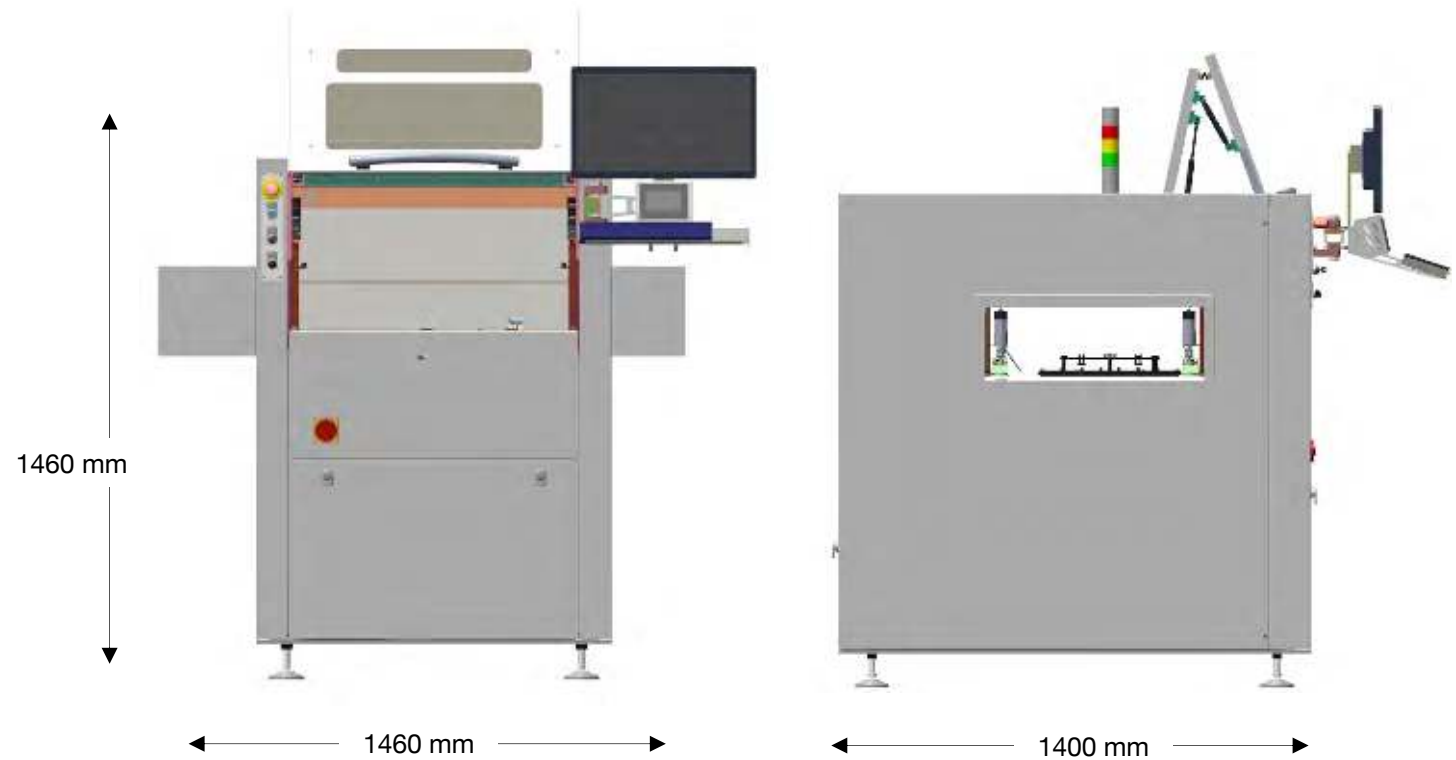
- In – Out SMEMA Interface
- ESD Safety Design
- CE Compliance
- Dynamic Conveyor (carrying edge 3 mm)
- Power Supply - 230Vac 50/Hz 2 A
- Std conveyor speed 12 m/min
- Manual Width Adjustment (TWA)
- Unit Weight 250 kg

### PCB specification

- Max/Min PCB width 500 mm/100 mm
- Max /Min PCB length 400 mm/100 mm
- Max PCB or pallet weight 4 Kg

### Options

- Automatic Width Adjustment (AWA)
- Barcode reader





**Fenix Automation s.r.l.**  
**Via P. Calamandrei, 251 H**  
**52100 Arezzo - Italy**  
**Phone +39 0575 0230893**  
**fenixautomation.com**  
**info@fenixautomation.com**



YOUR REFERENCE POINT

Above mentioned data are indicative and Fenix Automation s.r.l. reserves the right to modify them as discretion.

