

TTRACEABILITY





Laser marking cell

The in line laser marking cell Fenix ML-50 is used for engraving, directly onto electronic PCBs or the final product cases, barcode, 2d code or images, symbols and editing. The laser and board are moved by servo axis allowing coverage of working surfaces from 450 mm L x 500 mm W (standard version) up to 1500 mm L x 500 mm W.



Flexible laser marking cell FX-ML50

Technical Features

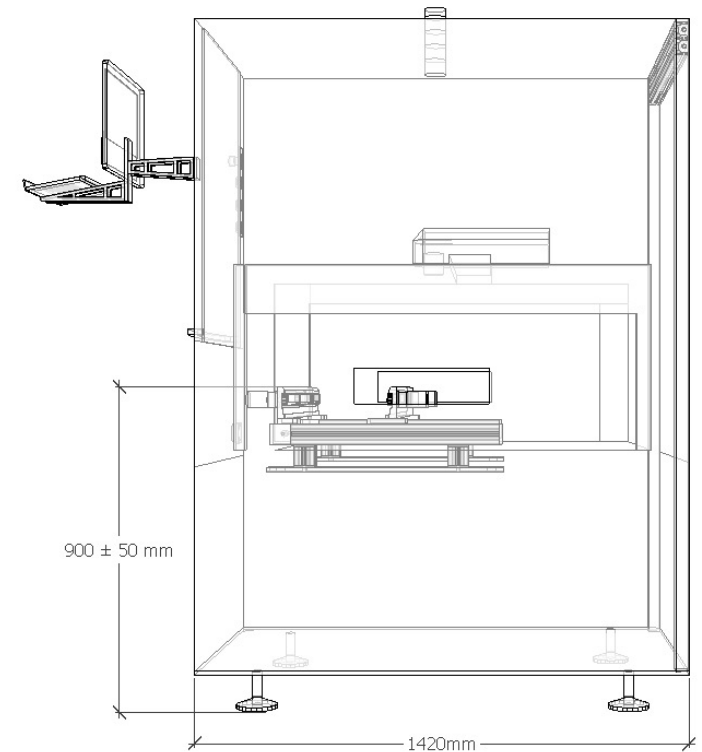
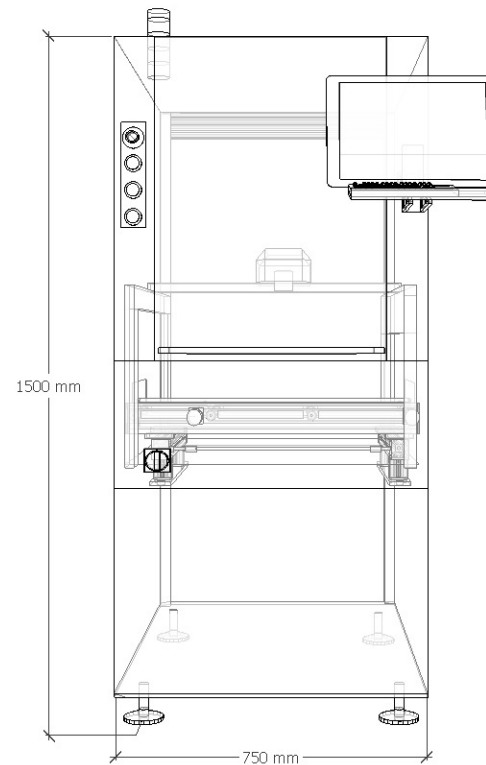
- In - Out SMEMA Interface
- ESD Safety Design
- CE Compliance
- Flat Belt (Width 3 mm)
- Power Supply - 230Vac 50/Hz 16A P = 2kW
- Laser Source CO2 - 10 Watt
- Conveyor Speed 6 m/min
- Automatic Width Adjustment
- Weight 300 kg
- Marking area L=400 x W=500 mm
- Suitable conveyor for pallet and PCB
- Closed marking area by Safety Shutter during engraving process

PCB specification

- Max/min PCB width 500 mm/100 mm
- Max /min PCB length 450 mm/100 mm
- Max PCB weight 2 Kg

Options

- Longer board kit (up to 1.500 mm length)
- Contact-less cleaning sistem post marking





Labeling cell

The FX-MA 01 cell is able to automatically apply adhesive labels directly on the surface of the electronic board, on top of electronic components or on a product transported to a production line.

The cell, which works in line, is equipped with automatic printer and vertical applicator.

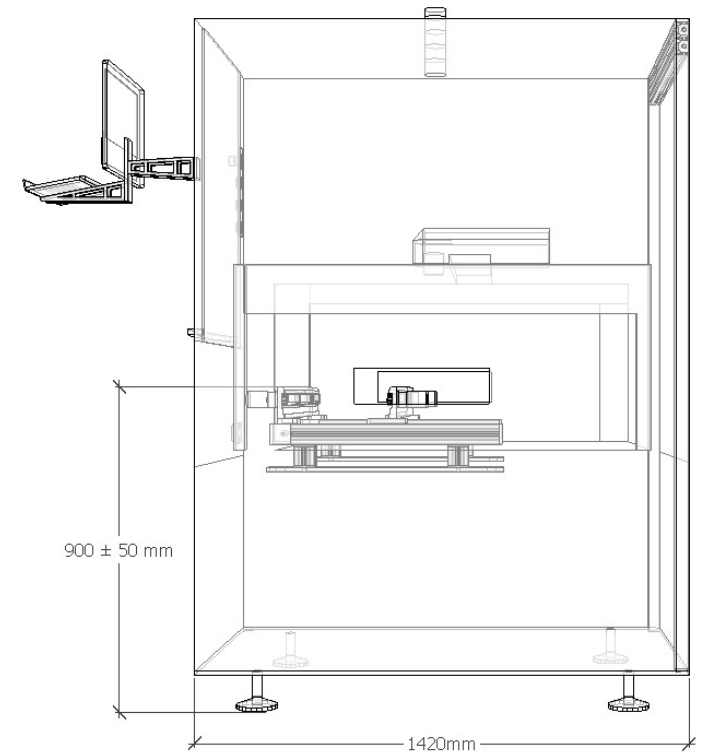
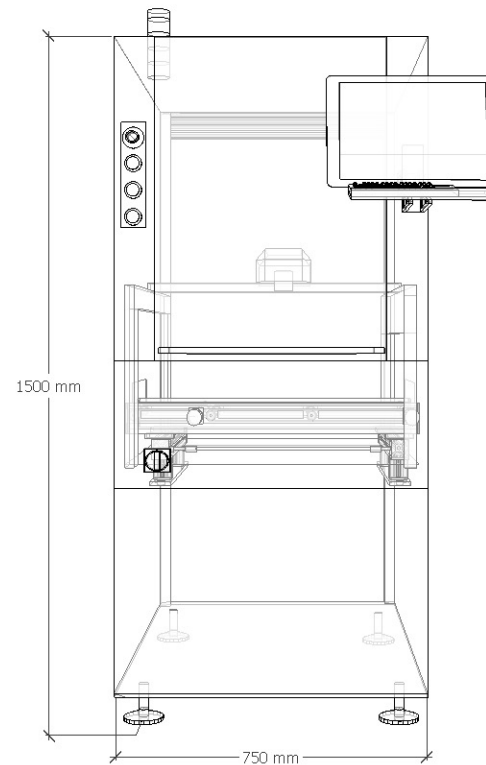
The data to be printed on the labels is transferred to real time. The machine is capable to applying one or more labels in any position of the board or product to be processed.



In Line labeling system FX-MA01

Technical Features

- Line length 750 mm
- Max board width 320 mm
- Max board length 350 mm
- Sliding height SMEMA (950 mm)
- Velocità del convogliatore 12m/ min adjustable
- Width adjustment Electric EWA
- Transport direction L to R
- Fixed side Front
- Power supply - 230 V / 50 Hz
- Belt type on flat conveyor (3mm support)
- Color RAL7035
- Infeed Interface SMEMA
- Outfeed Interface SMEMA
- X axis Servo controlled
- Y axis Servo controlled
- Z axis Pneumatic variable height
- Operator interface Industrial PC
- Printer CAB





Fenix Automation s.r.l.
Via P. Calamandrei, 251 H
52100 Arezzo - Italy
Phone +39 0575 0230893
fenixautomation.com
info@fenixautomation.com



YOUR REFERENCE POINT

Above mentioned data are indicative and Fenix Automation s.r.l. reserves the right to modify them as discretion.

